

### Features

- Nondiverter spout.
- 8" (203 mm) spout reach.
- For use with Components™ Lever, Oyl, or Industrial faucet handles (sold separately).
- Coordinates with Components faucets, accessories, and showering components to complete your bathroom.

### Material

- Premium metal construction for durability and reliability.
- KOHLER finishes resist corrosion and tarnishing.

### Installation

- Deck-mount.

### Required Products/Accessories

K-77990-4 deck-mount bath faucet handles with valve

or

K-77990-8 deck-mount bath faucet handles with valve

or

K-77990-9 deck-mount bath faucet handles with valve

### Recommended Products/Accessories

K-23723 Faucet cleaner



### Codes/Standards





ASME A112.18.1/CSA B125.1

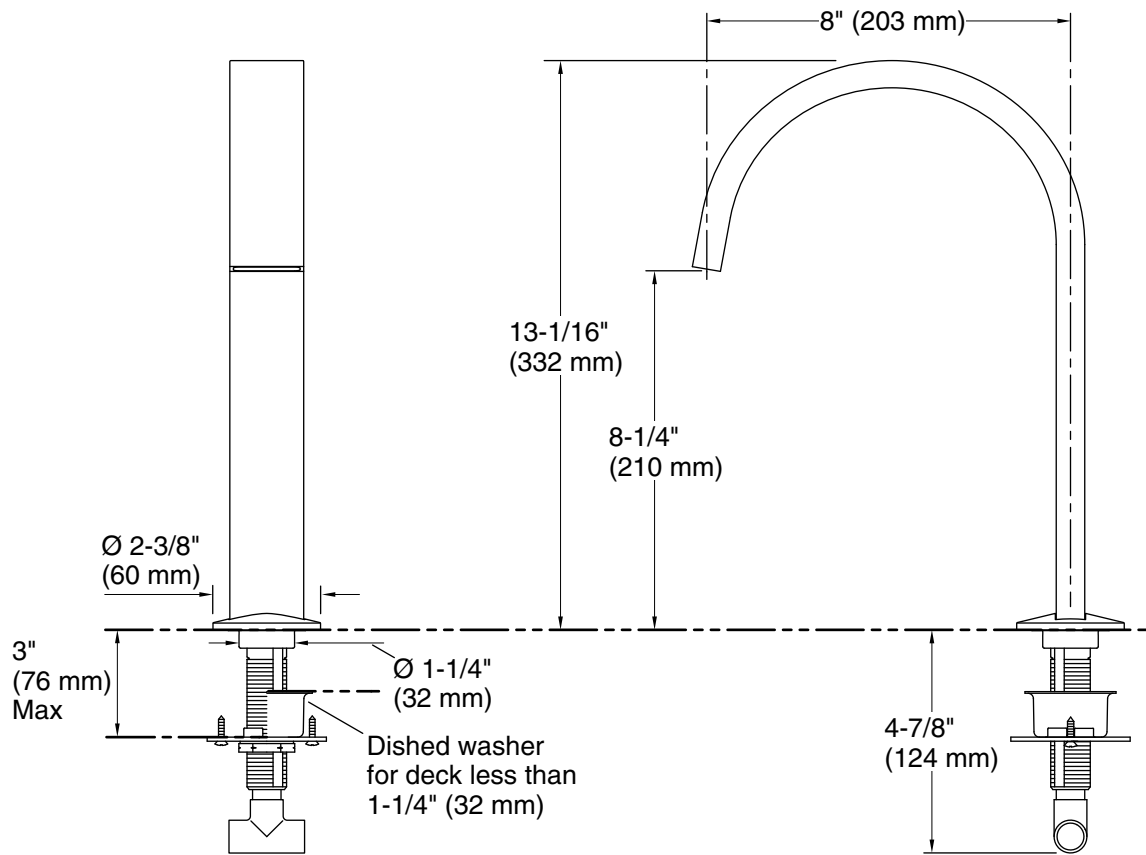
### KOHLER® Faucet Lifetime Limited Warranty

See website for detailed warranty information.

### Available Colors/Finishes

*Color tiles intended for reference only.*

Color	Code	Description
	CP	Polished Chrome
	BN	Vibrant® Brushed Nickel
	BL	Matte Black
	2MB	Vibrant® Brushed Moderne Brass



### Technical Information

All product dimensions are nominal.

Drain included: No

### Spout:

Spout reach: 8" (203 mm)

### Notes

Install this product according to the installation instructions.

**WARNING:** Risk of personal injury. Do not install the bath faucet in an area where it may inadvertently be used for support by the bather.